

# Retail

## TABLE OF CONTENTS

<b>RICE LAKE RS-130/RS-160</b> .....	<b>944</b>
<i>Battery-Operated Price Computing Scales</i>	
<b>ISHIDA ASTRA II</b> .....	<b>946</b>
<i>Price Computing Scale with Printer</i>	
<b>ISHIDA ASTRA II STANDARD LABEL FORMATS</b> .....	<b>948</b>
<b>BENCHPRO™ BP-R</b> .....	<b>950</b>
<i>Multi-Purpose Digital Bench Scale</i>	
<b>QUIKSHARP™</b> .....	<b>952</b>
<i>Sharpener</i>	

**ESPAÑOL** | Visit [ricelake.com/spanish](http://ricelake.com/spanish) to see all Rice Lake materials available in Spanish

*Product names, logos, brands and other trademarks featured or referred to within this publication are the property of their respective trademark holders.*

# Rice Lake RS-130/RS-160

Battery-Operated Price Computing Scales



RS-130 Pole



RS-160 Bench

## Part Number/Price

Part #	Model	Capacity	Weight	Price
167941	RS-130 Bench	30 lb x 0.01 lb 15 kg x 0.005 kg 480 oz x 0.2 oz	12 lb	\$365.00
168100	RS-130 Pole	30 lb x 0.01 lb 15 kg x 0.005 kg 480 oz x 0.2 oz	13 lb	\$376.00
167942	RS-160 Bench	60 lb x 0.02 lb 30 kg x 0.01 kg 960 oz x 0.5 oz	12 lb	\$375.00
168101	RS-160 Pole	60 lb x 0.02 lb 30 kg x 0.01 kg 960 oz x 0.5 oz	13 lb	\$387.00

NOTE: Buy quantity of 5 and get a 50% discount

## Options/Accessories

Part #	Description	Price
169634	Additional operating manual	\$15.00
169635	Additional calibration instructions	\$5.00
85711	Additional in-use cover	\$6.00
47976	Fish platter, (W x D) 9.5 x 13.5 in	\$95.00
47977	Produce platter, (W x D) 9.5 x 13.5 in	\$75.00
85710	Replacement rechargeable battery, 6V	\$22.00

### Dimensions: Bench

#### Unit

11.8 in x 13.0 in x 4.7 in  
(300 mm x 330 mm x 120 mm)

#### Stainless Steel Platter

11.8 in x 9.5 in (300 mm x 240 mm)

### Dimensions: Pole

#### Unit

11.8 in x 13.0 in x 4.7 in  
(300 mm x 330 mm x 120 mm)

#### Stainless Steel Platter

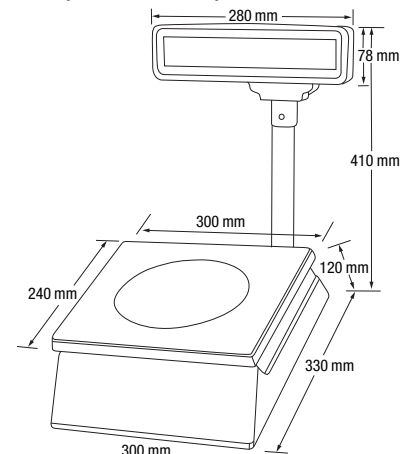
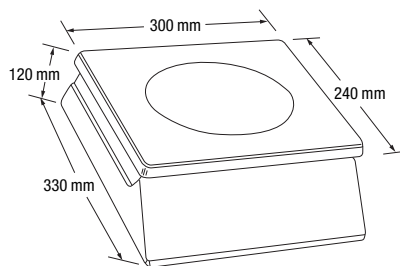
11.8 in x 9.5 in (300 mm x 240 mm)

#### Head

11 in x 3.1 in (280 mm x 78 mm)

#### Unit with Pole

11.8 in x 9.5 in x 16.1 in  
(300 mm x 240 mm x 410 mm)



## Standard Features

- Toggle between lb/kg/oz\*
- Nine PLU keys for direct price lookups
- Green backlight
- Cash back calculation
- Large stainless steel platter
- Easy-to-read displays
- In-use cover
- Pole swivels to face desired direction
- Battery charge indicator
- Internal sealed battery included
- NTEP Certified, Legal for Trade

## Specifications

### Capacity/Graduations:

RS-130:

30 lb x 0.01 lb  
15 kg x 0.005 kg  
480 oz x 0.2 oz

RS-160:

60 lb x 0.02 lb  
30 kg x 0.01 kg  
960 oz x 0.5 oz

### Display Items:

Weight: Five-digits  
Unit price: Five-digits  
Total price: Six-digits

### Accuracy:

1/3,000

### Display:

Backlit LCD, 0.453 in (11.5 mm) character height

### Power Source:

DC 6V/25 mA rechargeable battery with AC adaptor included AC 115V/0.1A (max) (100+ hours battery life, 8-10 hours to recharge)

### Weight:

10 lb (4.5 kg)

### Preset Key:

Nine direct price lookups

### Dimensions:

Platter: (W x D) 11.8 x 9.5 in  
Overall: (W x D x H) 12.3 x 13.0 x 4.7 in

### Operating Temperature:

14°F to 104°F (-10°C to 40°C)

### Classification:

NTEP CC 04-067, Class III 3000d

\*Not Measurement Canada Approved

### Warranty:

One-year limited warranty



# NEW Ishida Astra II

Price Computing Scale with Printer

RETAIL SCALES



Astra II Bench

Astra II Pole

## Part Number/Price

Part #	Model	Capacity	Weight	Price
185822	Astra II Bench	30 lb x 0.01 lb	25 lb	\$1,623.00
185823	Astra II Pole	30 lb x 0.01 lb	25 lb	\$1,705.00
190641	Astra II Lite software CD			\$0.00
190642	Astra II Lite license file			\$149.00

## Options/Accessories

Part #	Description	Price
47977	Produce platter	\$75.00
47976	Fish platter	\$95.00
47341	Continuous roll thermal journal paper, 64 mm W x 50 m L (for reports only)	\$5.00
184273*	Technical manual	\$15.00
184270*	Additional operating manual	\$15.00
184274*	Additional operation card	\$15.00
47732	2.36 in x 1.73 in (60 mm x 44 mm)	\$66.00
47733	2.52 in x 1.85 in (64 mm x 47 mm)	\$66.00
47735	2.52 in x 2.32 in (64 mm x 59 mm)	\$66.00
47736	Pre-printed safe handling instructions, 2.52 in x 2.32 in (64 mm x 59 mm)	\$66.00
47743 ***	Extended text, 2.52 in x 3.34 in (64 mm x 85 mm)	\$66.00
47745	Pre-printed safe handling instructions on top of label, 2.52 in x 3.34 in (64 mm x 85 mm)	\$66.00
47762	Non-barcode, 2.52 in x 1.46 in (64 mm x 37 mm)	\$66.00

Label Stock, please consult factory for case quantity pricing. Examples shown on page 948

Labels sold by the case-12 rolls per case.

\* Manuals and software programs can be downloaded at no charge from our website at [www.ricelake.com](http://www.ricelake.com)

\*\*\* Safe handling instructions can also be printed by scale

## Standard Features

- Programmable function keys
- Print speed of 3.9 in (100 mm) per second
- Convenient side-loading label feature
- TCP/IP 10/100 Base T Ethernet
- Proportional tare
- 84 one-touch preset keys, 168 presets (assign two items/key 0)
- USB port

## Specifications

### Capacity:

30 lb x 0.01 lb

### Weighing Resolution:

3,000 display divisions maximum

### Display Types:

LCD, blue alphanumeric (23 digits, 16 seg)

### Display Items:

Tare: Four-digits

Unit price: Five-digits

Total price: Six-digits

### Preset Keys:

84 one-touch preset keys 168 presets (assign two items/key)

### Memory Capacity:

2 MB

### Communications:

TCP/IP 10/100 Base T Ethernet

### Platter:

14.5 x 10.5 in (368 x 268 mm)

### Printing Speed:

3.9 in (100 mm) per second

### Printing:

Direct thermal 2.2 in (56 mm) (448 dot, 8 dot/mm)

### Label Size:

Width: 1.5-2.5 in (38-64 mm) {min}

Length: 1.2-6.9 in (30-175 mm) {max}

### Label Roll:

Inside diameter: 1.6 in (40 mm)

Outside diameter: 3.9 in (100 mm)

### Label Backing Paper:

Width: Up to 2.6 in (66 mm)

### Power Supply:

AC100-240V, 50/60 Hz

### Power Consumption:

Stand-by: 50W

In operation: 100W

### Classification:

NTEP CC 07-005

UL Listed

### Warranty:

One-year limited warranty

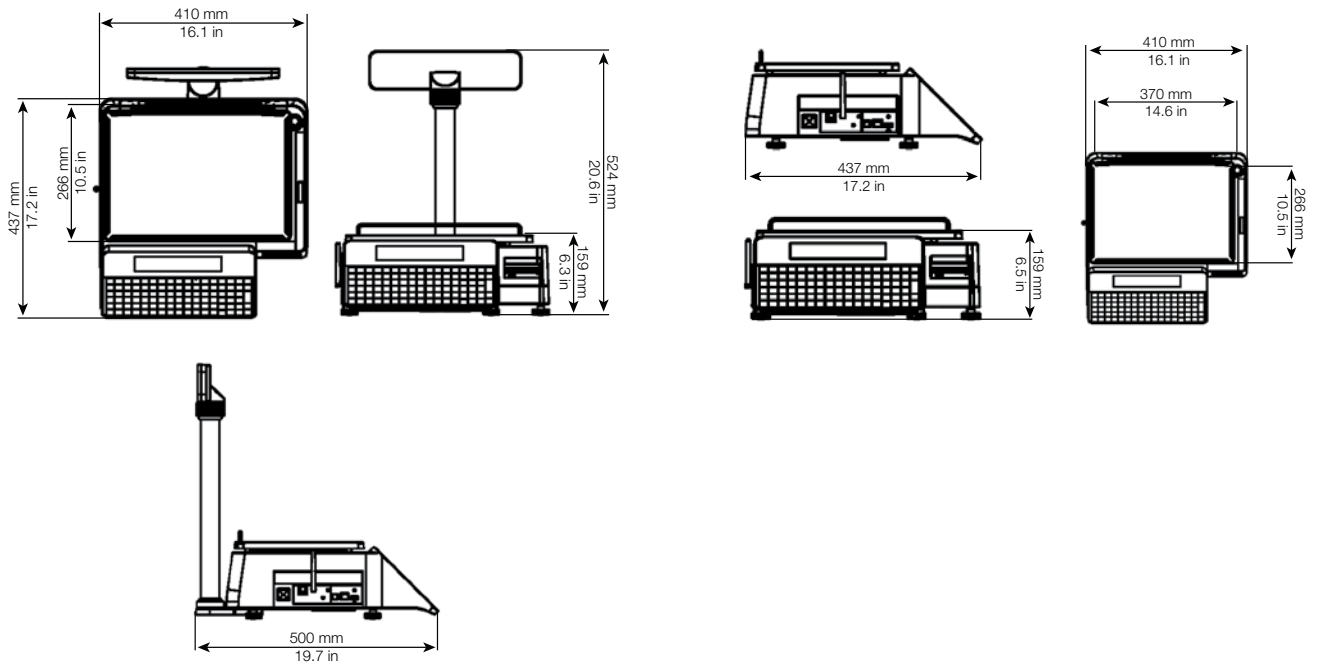
www.ricelake.com | Phone: 800-472-6703

RICELAKE

# NEW Ishida Astra II

Price Computing Scale with Printer

Dimensions: Bench	
<b>Unit</b>	17.2 in x 16.1 in x 6.3 in (437 mm x 410 mm x 159 mm)
<b>Stainless Steel Platter</b>	10.5 in x 14.6 in (268 x 370 mm)
Dimensions: Pole	
<b>Unit</b>	17.2 in x 16.1 in x 6.3 in (437 mm x 410 mm x 159 mm)
<b>Stainless Steel Platter</b>	10.5 in x 14.6 in (268 x 370 mm)
<b>Unit with Pole</b>	19.7 in x 16.1 in x 20.6 in (500 mm x 410 mm x 524 mm)



# Ishida Astra II Standard Label Formats

RETAIL SCALES

Titles on labels are pre-printed (SELL BY, PACKED ON, \$ LB, NET WT, TOTAL PRICE)

Maximum description text per label

**Formats 1-5**..... 1 name line + 2 ingredient lines

**Format 6**..... 1 name line + 6 ingredient lines

**Format 7**..... 1 name line + 17 ingredient lines

**Format 8**..... 1 name line + 6 ingredient lines

## Format 1

47732

SELL BY	PACKED	\$/LB.	WEIGHT(LB.)
<b>TOTAL PRICE(\$)</b>			

Example

**60 x 44 STD.**  
Part #47732 800 Labels Per Roll

SELL BY	PACKED	\$/LB.	WEIGHT(LB.)
SEP.28.15	SEP.27.15	0.00	0.71

0 200000 200003 1000  
**TOTAL PRICE \$0.00**

RICE LAKE/ISHIDA  
230 W. Coleman St. Rice Lake, WI (800) 472-6703

## Format 5

47762

PACKED ON	\$/LB.	NET WT.	TOTAL PRICE
SELL BY			

Example

**60 x 37 NON BARCODE**  
Part #47762 1000 Labels Per Roll

PACKED ON	\$/LB.	NET WT.	TOTAL PRICE
SEP.27.15	0.00	0.71	<b>\$0.00</b>

1000  
RICE LAKE/ISHIDA  
230 W. Coleman St. Rice Lake, WI (800) 472-6703

## Format 2

47733

SELL BY	PACKED ON	\$/LB.	NET WT.
<b>TOTAL PRICE</b>			

Example

**64 x 47 STD.**  
Part #47733 800 Labels Per Roll

SELL BY	PACKED ON	\$/LB.	NET WT.
SEP.28.15	SEP.27.15	0.00	0.71

0 200000 200003 1000  
**TOTAL PRICE \$0.00**

RICE LAKE/ISHIDA  
230 W. Coleman St. Rice Lake, WI (800) 472-6703

## Format 6

47735

SELL BY	PACKED ON	\$/LB.	NET WT.
<b>TOTAL PRICE</b>			

Example

**64 x 59 EXTENDED TEXT**  
Part #47735 625 Labels Per Roll

SELL BY	PACKED ON	\$/LB.	NET WT.
SEP.28.15	SEP.27.15	5.99	0.14

**TOTAL PRICE \$0.84**

RICE LAKE/ISHIDA  
230 W. Coleman St. Rice Lake, WI (800) 472-6703

## Format 3

47743

SELL BY	PACKED ON	\$/LB.	NET WT. (LB.)
<b>TOTAL PRICE \$</b>			

Example

**64 x 85 SAFE HANDLING**  
Part #47743 425 Labels Per Roll

**SAFE HANDLING INSTRUCTIONS**  
THIS PRODUCT WAS PREPARED FROM INSPECTED AND PASSED MEAT AND/OR POULTRY. SOME FOOD PRODUCTS MAY CONTAIN BACTERIA THAT COULD CAUSE ILLNESS IF THE PRODUCT IS MISHANDLED OR COOKED IMPROPERLY. FOR YOUR PROTECTION, FOLLOW THESE SAFE HANDLING INSTRUCTIONS:

- KEEP REFRIGERATED OR FROZEN, THAW IN REFRIGERATOR OR MICROWAVE.
- KEEP RAW MEAT AND POULTRY SEPARATE FROM OTHER FOODS. WASH WORKING SURFACES (INCLUDING CUTTING BOARDS, UTENSILS, AND HANDS) AFTER TOUCHING RAW MEAT OR POULTRY.
- COOK THOROUGHLY.
- KEEP HOT FOODS HOT. REFRIGERATE LEFTOVERS IMMEDIATELY OR DISCARD.

SELL BY	PACKED ON	\$/LB.	NET WT. (LB.)
SEP.28.15	SEP.27.15	0.00	0.71

0 200000 200003 1000  
**TOTAL PRICE \$0.00**

RICE LAKE/ISHIDA  
230 W. Coleman St. Rice Lake, WI (800) 472-6703

## Format 7

47743

SELL BY	PACKED ON	\$/LB.	NET WT. (LB.)
<b>TOTAL PRICE \$</b>			

Example

**64 x 85 EXTENDED TEXT**  
Part #47743 425 Labels Per Roll

SELL BY	PACKED ON	\$/LB.	NET WT. (LB.)
SEP.28.15	SEP.27.15	0.00	0.71

0 200000 200353  
**TOTAL PRICE \$0.35**

RICE LAKE/ISHIDA  
230 W. Coleman St. Rice Lake, WI (800) 472-6703

## Format 4

47736

**SAFE HANDLING INSTRUCTIONS**  
THIS PRODUCT WAS PREPARED FROM INSPECTED AND PASSED MEAT AND/OR POULTRY. SOME FOOD PRODUCTS MAY CONTAIN BACTERIA THAT COULD CAUSE ILLNESS IF THE PRODUCT IS MISHANDLED OR COOKED IMPROPERLY. FOR YOUR PROTECTION, FOLLOW THESE SAFE HANDLING INSTRUCTIONS:

- KEEP REFRIGERATED OR FROZEN, THAW IN REFRIGERATOR OR MICROWAVE.
- KEEP RAW MEAT AND POULTRY SEPARATE FROM OTHER FOODS. WASH WORKING SURFACES (INCLUDING CUTTING BOARDS, UTENSILS, AND HANDS) AFTER TOUCHING RAW MEAT OR POULTRY.
- COOK THOROUGHLY.
- KEEP HOT FOODS HOT. REFRIGERATE LEFTOVERS IMMEDIATELY OR DISCARD.

NET WT (LB.)	PRICE/LB. \$	DATE

**TOTAL PRICE**

Example

**64 x 59 SAFE HANDLING**  
Part #47736 625 Labels Per Roll

**SAFE HANDLING INSTRUCTIONS**  
THIS PRODUCT WAS PREPARED FROM INSPECTED AND PASSED MEAT AND/OR POULTRY. SOME FOOD PRODUCTS MAY CONTAIN BACTERIA THAT COULD CAUSE ILLNESS IF THE PRODUCT IS MISHANDLED OR COOKED IMPROPERLY. FOR YOUR PROTECTION, FOLLOW THESE SAFE HANDLING INSTRUCTIONS:

- KEEP REFRIGERATED OR FROZEN, THAW IN REFRIGERATOR OR MICROWAVE.
- KEEP RAW MEAT AND POULTRY SEPARATE FROM OTHER FOODS. WASH WORKING SURFACES (INCLUDING CUTTING BOARDS, UTENSILS, AND HANDS) AFTER TOUCHING RAW MEAT OR POULTRY.
- COOK THOROUGHLY.
- KEEP HOT FOODS HOT. REFRIGERATE LEFTOVERS IMMEDIATELY OR DISCARD.

NET WT (LB.)	PRICE/LB. \$	DATE
0.71	0.00	SEP.27.15 SEP.28.15

0 200000 200003 1000  
**TOTAL PRICE \$0.00**

RICE LAKE/ISHIDA  
230 W. Coleman St. Rice Lake, WI (800) 472-6703

## Format 8

47745

**SAFE HANDLING INSTRUCTIONS**  
THIS PRODUCT WAS PREPARED FROM INSPECTED AND PASSED MEAT AND/OR POULTRY. SOME FOOD PRODUCTS MAY CONTAIN BACTERIA THAT COULD CAUSE ILLNESS IF THE PRODUCT IS MISHANDLED OR COOKED IMPROPERLY. FOR YOUR PROTECTION, FOLLOW THESE SAFE HANDLING INSTRUCTIONS:

- KEEP REFRIGERATED OR FROZEN, THAW IN REFRIGERATOR OR MICROWAVE.
- KEEP RAW MEAT AND POULTRY SEPARATE FROM OTHER FOODS. WASH WORKING SURFACES (INCLUDING CUTTING BOARDS, UTENSILS, AND HANDS) AFTER TOUCHING RAW MEAT OR POULTRY.
- COOK THOROUGHLY.
- KEEP HOT FOODS HOT. REFRIGERATE LEFTOVERS IMMEDIATELY OR DISCARD.

SELL BY	PACKED ON	\$/LB.	NET WT.
<b>TOTAL PRICE</b>			

Example

**64 x 85 REDUCED S.H.**  
Part #47745 425 Labels Per Roll

**SAFE HANDLING INSTRUCTIONS**  
THIS PRODUCT WAS PREPARED FROM INSPECTED AND PASSED MEAT AND/OR POULTRY. SOME FOOD PRODUCTS MAY CONTAIN BACTERIA THAT COULD CAUSE ILLNESS IF THE PRODUCT IS MISHANDLED OR COOKED IMPROPERLY. FOR YOUR PROTECTION, FOLLOW THESE SAFE HANDLING INSTRUCTIONS:

- KEEP REFRIGERATED OR FROZEN, THAW IN REFRIGERATOR OR MICROWAVE.
- KEEP RAW MEAT AND POULTRY SEPARATE FROM OTHER FOODS. WASH WORKING SURFACES (INCLUDING CUTTING BOARDS, UTENSILS, AND HANDS) AFTER TOUCHING RAW MEAT OR POULTRY.
- COOK THOROUGHLY.
- KEEP HOT FOODS HOT. REFRIGERATE LEFTOVERS IMMEDIATELY OR DISCARD.

SELL BY	PACKED ON	\$/LB.	NET WT.
SEP.28.15	SEP.27.15	3.30	0.72

0 200000 202383  
**TOTAL PRICE \$2.38**

RICE LAKE/ISHIDA  
230 W. Coleman St. Rice Lake, WI (800) 472-6703

www.ricelake.com | Phone: 800-472-6703

RICE LAKE



# BenchPro™ BP-R

Multi-Purpose Digital Bench Scale



BP-R 10 x 10 with optional table top display pole PN 183103 and customer display PN 180901

## Standard Features

- Large six-digit backlight LCD display with 1 in (29mm) characters protected by heavy-duty tempered glass
- Powered USB HID point of sale interface – plug and play USB interface provides power and communications
- Nine-pin RS-232 interface for use with USB HID POS, SMA, NCI and ECR
- Four AA alkaline battery operation for portability (BP-R 12 x 14 scale only)
- Gravitational compensation allows for adjustment of factory calibration to meet your local gravity setting, non-approved

## APPROVALS



Measurement  
Canada  
Approved

## Specifications

### Dynamic Response:

0-1,000d, 1,000 ms, maximum average 1,000d +, 1,500 ms, maximum average

### Power:

#### In-line Power Supply (included)

**Input:** 100-240 VAC, +10% -15%, 3-wire w/ground Standard terminated with USA 3-prong plug

**Output:** 12V at .1 Amps DC minimum

**Frequency:** 50/60 Hz +/-3 Hz, standard

**Approvals:** UL, CE, EN, CUL

### Battery Power (BP-R 12 x 14 scale only):

**Battery Type:** Four AA alkaline batteries, 6V, with low battery indication at 4.3 volts (not included)\*

**Battery Life:** 50-250 hrs depending on backlight and auto-shutdown settings

### USB HID:

USB 2.0 full speed; Vendor ID: 1C19; Product ID: 0002

### Construction:

**BP-R 6 x 10 and 10 x 10 scales** - Powder coat painted mild steel base plate and load bridge with stainless steel weight platter

**BP-R 12 x 14 scales** - DieCast aluminum load bridge and base housing with stainless steel weight platter

### Display:

Minimum key press life of 500,000 cycles, ABS plastic housing with Zero, Gross/Brutto, Net, W1/W2/W3 annunciators. Dimensions (L x W x D) 5.25 x 2.21 x 1.09 in Includes a 16 in cable with RJ-45 connection to scale

### RS-232 Cable (included):

10 ft DB 9-pin male to female, straight pass through and null modem

### USB Cable (included):

46 in (1,168.4 mm) A/B type USB cable

### Warranty:

Two-year limited warranty



BP-R 12 x 14 scale



BP-R 06 x 10 scale



Operator display



BP-R 12 x 14 scale with optional column bracket & post



Customer display (optional)



**Part Number/Price**

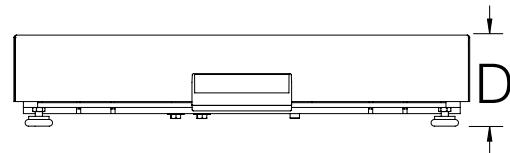
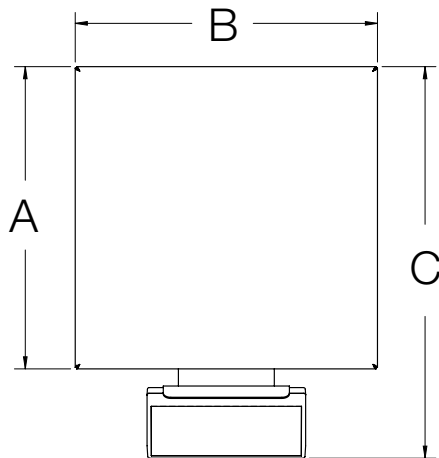
Part #	Capacity	Dimensions	Est. Ship Weight	Price
182374	15 x 0.005 lb (6 x 0.002 kg) / 15 lb x 0.1 oz	6 x 10 in	12 lb	\$695.00
182375	30 x 0.01 lb (15 x 0.005 kg) / 30 lb x 0.2 oz	6 x 10 in	12 lb	\$695.00
182376	15 x 0.005 lb (6 x 0.002 kg) / 15 lb x 0.1 oz	10 x 10 in	15 lb	\$695.00
182377	30 x 0.01 lb (15 x 0.005 kg) / 30 lb x 0.2 oz	10 x 10 in	15 lb	\$695.00
179733	15 x 0.005 lb (6 x 0.002 kg) / 15 lb x 0.1 oz	12 x 14 in	17 lb	\$545.00
179732	30 x 0.01 lb (15 x 0.005 kg) / 30 lb x 0.2 oz	12 x 14 in	17 lb	\$545.00

**Options/Accessories**

Part #	Description	Est. Weight	Price
174783	Column bracket and post (12 x 14 scale only)	2 lb	\$45.00
180901	Second Customer display, BenchPro BP-R no keyboard with 68 in cable	4 lb	\$65.00
174784	Second Remote operator display, BenchPro BP-R with 68 in cable	4 lb	\$80.00
183103	16 in (H) tabletop display post for use with second display, customer or remote operator	4 lb	\$195.00
178501	USB-RS-232 serial adapter	1 lb	\$45.00

**Dimensions/Inches**

	A	B	C	D
6 x 10	6.0	10.0	9.0	2.4
10 x 10	10.0	10.0	13.0	2.5
12 x 14	12.0	14.0	14.5	2.7



# QuikSharp™

Sharpener



## Specifications

**Blades:**

Tungsten carbide

**Honing Rods:**

Ceramic

**Dimensions (L x W x H):**

6 x 0.75 x 2.5 in  
(152.4 x 19.05 x 63.5 mm)

## Standard Features

- Tungsten carbide sharpener
- Ceramic honing rods
- Reversible blades

## Part Number/Price

Part #	Description	Weight	Price
78720	Intruder QuikSharp™ complete knife sharpening system	2.25 oz	\$12.00

### HOW TO REVERSE CARBIDE BLADES AND CERAMIC RODS

1. Remove screws to open sharpener.
  2. Reverse blades or rods as shown.
  3. Replace screws and reassemble sharpener.
- Reversible blades have a total expected life of four to five years with normal use.

